

EVERPURE® CGS-23 FILTER

CGS-23 FILTER EV9100-23

APPLICATIONS • FEATURES

These filters can be used for post mix, coffee, and ice applications. The economical Everpure filters trap much of the dirt which contributes to scale buildup in ice makers, and clogs the delicate orifices of other water-using equipment. By selecting the appropriate cartridge, your Everpure filter can offer:

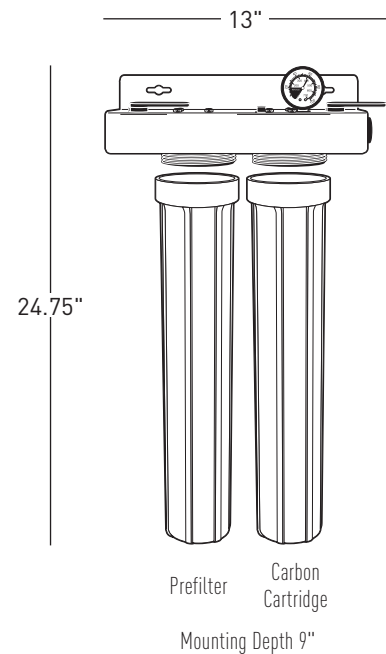
- Taste & Odor Reduction
- Submicron Filtration by Mechanical Means
- Sediment Reduction
- Cyst Reduction by Mechanical Means
- Scale Reduction

CARTRIDGE SELECTION GUIDE

Product Name	Part Number	Cyst	Taste & Odor	Sediment	Scale	Filter Life Gallons	Flow Rate GPM
CG53-20	EV9108-63	✓†	✓	✓†		20,000	4.0
CG53-20S	EV9108-67	✓†	✓	✓†	✓	20,000	4.0
CG5-20	EV9108-25		✓	✓		12,000	3.34
CG5-20S	EV9108-27		✓	✓	✓	12,000	3.34
CGT-20*	EV9108-32		✓			10,000	2.0
CGT-20S*	EV9108-33		✓		✓	10,000	2.0
EC210	EV9534-20			✓			4.0

* NSF Component Listed

† Cyst reduction and submicron filtration by mechanical means.



SPECIFICATIONS

High impact plastic head and bowl. Head has 3/8-inch female threads for inlet and outlet pipe connections. Protect filter bowl from pesticide sprays and freezing. Intended for indoor use only.

NOTE: To assure proper performance of this filter it is recommended to replace your sump bowl at least every 10 years.

Flow Rate: up to 4.0 gpm (15.1 Lpm)

Pressure: 30-125 psig (2.1 - 8.62 bar), non-shock‡

Temperature: 40-100°F (4.4-37.8°C); for cold water use only.

Unit dimensions: 13" wide x 24.75" high x 9" deep (33 x 63 x 33 cm);
a clearance of 3" (8 cm) underneath is required for cartridge exchange.

Cartridge length: 19.75" (50 cm)

Connections: 3/8" internal pipe thread (FPT)

‡ If pressure exceeds 125 psi non-shock, use appropriate pressure regulators.

INSTALLATION

The Everpure® filter (part number EV9100-23) has 3/8-inch FPT connections. Before starting installation, be sure to shut off both power and water to the equipment being served by your Everpure system. For servicing purposes, a manual shut-off valve should be installed in the water line.

IMPORTANT: Always use Teflon® tape at all thread connections.

1. Select a suitable location for mounting the prefilter and install mounting screws 13 inches apart. The filter should be close to the machine served.
2. Separate the bowl and head assembly. Set the bowl and cartridge aside.
3. Check to be sure the O-ring on the bowl is sufficiently lubricated. If additional lubrication is needed, use only a high quality grade of silicone grease.
4. Position the cartridge on the guide seat in the bottom of the bowl. Then screw the bowl onto the head, by hand; do not use a housing wrench!
5. Connect the water line to the inlet of the filter. (Use 3/8 inch minimum piping on filter to assure adequate flow of water). Connect outlet side to the next piece of equipment used.
6. Turn on the water to the filter and press the red button on the head to open the pressure relief valve, purging air from the system. When water begins coming through the pressure relief valve, release the button. Inspect the filter assembly for leaks. Your filter is now in service. Always keep a supply of replacement cartridges on hand.

NOTE: The drinking water cartridge may contain carbon fines (very fine black powder). After installation, flush cartridge for five (5) minutes to remove the fines before using the water.

CARTRIDGE CHANGE

Replace prefilter cartridges when they become excessively dirty, when the pressure gauge after the prefilter indicates extremely low pressure during water flow, or when changes in taste and odor are detected.

1. Turn off inlet and outlet water valves and press the pressure relief valve.
2. Unscrew the bowl from the filter head, remove the used cartridge and empty the water from the bowl.
3. If the O-ring on the bowl feels dry, lubricate it with a high quality silicone grease.
4. Clean the bowl with a mild solution of unscented dishwashing detergent. DO NOT use soap, strong or scented detergents, chemical cleansers or abrasives.
5. Position the replacement cartridge on the guide seat in the bottom of the bowl. Then firmly screw the bowl into the head by hand. DO NOT USE A HOUSING WRENCH. Flush cartridge for five (5) minutes to remove carbon fines before using the water.

CAUTION: The O-ring provides a water tight seal. Make sure the O-ring is properly seated and lubricated.

CARE AND CLEANING

For the protection of your filter, do not store open containers of oils, alcohols, insecticides, polishes, cleaning fluids or other common household chemicals near your filter installation. To maintain the clear, bright appearance of the filter bowl, clean only with mild solution of unscented dishwashing detergent. Do not clean with soap, strong or scented detergents, chemical cleansers or abrasives.

Check the system and installation for compliance with your state and local laws and regulations. For cold water use only.

⚠ WARNING: Do not use with water that is microbiologically unsafe or of unknown quality without adequate disinfection before or after the system.

EPA Est. No. 082989-CHN-001

PARTS LIST

KEY	DESCRIPTION	PART NUMBER
	Pressure Relief Button Kit	151039
#237 Slim Line®	O-ring	151121
#20 Slim Line®	White Sump (bowl)	153081
SW-1	Wrench	150539
	Pressure Gauge	144369

LIMITED WARRANTY

COMMERCIAL WATER TREATMENT EQUIPMENT

You have just purchased one of the finest water treatment units made. As an expression of confidence in this product, Pentair Filtration Solutions, LLC ("PFS") offers the following product warranty. This product is warranted against material defects in materials and workmanship to the original end-user when installed in accordance with the PFS specifications. The warranty period commences on the date of purchase and is administered as follows:

For a period of ONE YEAR Replaceable elements (i.e., filter & water treatment cartridges)*
For a period of FIVE YEARS The entire system (excluding replaceable elements)

The unit must be used in operating conditions that conform to PFS's recommended guidelines. This warranty will not apply if the unit has been modified, repaired or altered by someone not authorized by PFS.

If a part described above is found to have a material defect in materials or workmanship within the specified warranty period, you should notify Pentair® Everpure technical service at the phone number listed below. Any part found materially defective within the terms of this warranty will be repaired or replaced (at PFS's discretion) by your local dealer or Pentair Everpure technical service. You pay only freight from our factory and local dealer charges. Any item repaired or replaced pursuant to this warranty will be covered under the original warranty terms of the system.

PFS is not responsible for damage caused by accident, fire, flood, freezing, Act of God, misuse, misapplication, neglect, oxidizing agents (such as chlorine, ozone, chloramines and other related components), alteration, installation or operation contrary to our printed instructions, or by the use of accessories or components which do not meet PFS's specifications. Refer to the specifications section in the Installation and Operating manual for approved application parameters.

Our product performance specifications are furnished with each water treatment unit. TO THE EXTENT PERMITTED BY LAW, EVERPURE DISCLAIMS ALL IMPLIED WARRANTIES, INCLUDING WITHOUT LIMITATION WARRANTIES OF MERCHANTABILITY AND FITNESS FOR PARTICULAR PURPOSE; TO THE EXTENT REQUIRED BY LAW, ANY SUCH IMPLIED WARRANTIES ARE LIMITED IN DURATION TO THE PERIOD SPECIFIED ABOVE FOR THE ENTIRE WATER TREATMENT UNIT.

As a manufacturer, we do not know the characteristics of your water supply or the purpose for which you are purchasing this product. The quality of water supplies may vary seasonally or over a period of time, and your water usage rate may vary as well. Water characteristics can also differ considerably if this product is moved to a new location. For these reasons, we assume no liability for the determination of the proper equipment necessary to meet your requirements, and we do not authorize others to assume such obligations for us. Further, we assume no liability and extend no warranties, express or implied, for the use of this product with a non-potable water source or a water source which does not meet the conditions for use described in the owner's guide or performance data sheet for this product.

OUR OBLIGATIONS UNDER THIS WARRANTY ARE LIMITED TO THE REPAIR OR REPLACEMENT (AT PFS'S DISCRETION) OF THE FAILED PARTS OF THE WATER TREATMENT UNIT, AND WE ASSUME NO LIABILITY WHATSOEVER FOR DIRECT, INDIRECT, INCIDENTAL, CONSEQUENTIAL, SPECIAL, GENERAL OR OTHER DAMAGES.

Some states do not allow the exclusion of implied warranties or limitations on how long an implied warranty lasts, so the above limitation may not apply to you. Similarly, some states do not allow the exclusion of incidental or consequential damages, so the above limitation or exclusion may not apply to you. This warranty gives you specific legal rights, and you may also have other rights which vary from state to state.

*Warranty applies to defects in materials and workmanship only.

Pentair Everpure Technical Support:
Phone: 1.800.942.1153 (US Only) • 630.307.3000 Main
Email: servicespecialist@pentair.com



FILTRATION & PROCESSING SOLUTIONS

EVERPURE-SHURFLO WORLD HEADQUARTERS, 1040 MUIRFIELD DRIVE, HANOVER PARK, IL 60133 USA • WWW.EVERPURE.COM
800.942.1153 (US ONLY) • 630.307.3000 MAIN • 630.307.3030 FAX • CSEVERPURE@PENTAIR.COM EMAIL

All Pentair trademarks and logos are owned by Pentair, Inc. or its affiliates. All other registered and unregistered trademarks and logos are the property of their respective owners. Because we are continuously improving our products and services, Pentair reserves the right to change specifications without prior notice.

Pentair is an equal opportunity employer.