



EVERPURE® HIGH FLOW CSR QUAD-4FC SYSTEM

DELIVERS PREMIUM QUALITY WATER FOR HIGH FLOW COMBINATION APPLICATIONS

High Flow CSR Quad – 4FC System: EV9329-44
4FC Replacement Cartridges: EV9692-21 (1 PK)
EC110 Replacement Cartridge: EV9534-12 (12 PK)
SS-XL ScaleStick Cartridge: EV9799-42 (6 PK)



APPLICATIONS

Multiple Equipment and Combination Applications

High-Volume Installations

FEATURES • BENEFITS

Provides premium quality water to high flow fountain, coffee and ice machines

Sanitary cartridge replacement is simple, quick and clean; internal filter parts are never exposed to handling or contamination

Extended-life 4FC Cartridges feature balanced chemical and mechanical reduction for optimum performance in varying water qualities

Exclusive Fibredyne™ II submicron carbon block technology provides superior chlorine taste & odor reduction and micro-filters dirt and particles as small as 0.5 micron in size by mechanical means

Proprietary Fibredyne II filtration media effectively inhibits the growth of bacteria on the filter media that decreases product life

Allows for optimal flow rate and contaminant reduction capacity in tight spaces

Reduces chlorine taste & odor and other offensive contaminants that can adversely affect the taste of beverages

Compact design, with 10" prefilter

SR-X Feeder with SS-XL ScaleStick® cartridge inhibits scale buildup in ice machines and coffee brewers

NSF/ANSI Standard 53 certified to reduce cysts such as *Cryptosporidium* and *Giardia* by mechanical means

INSTALLATION TIPS

Choose a mounting location capable of safely supporting the full weight of the system when in operation.

Use 3/4" water line.

Fountain equipment connections are made to the outlet part of the system before the SR-X System.

Coffee brewer and ice machine connections are made after the SR-X Feeder; a tee is required.

Install vertically with cartridges hanging down and allow 2 1/2" (6.35 cm) clearance below the cartridge for easy replacement.

Flush cartridges by running water through flushing valve for five (5) minutes at full flow.

OPERATION TIPS

Change filter cartridges on a regular six (6) month preventative maintenance program.

Change cartridges when capacity is reached or when pressure falls below 10 psi (0.7 bar).

Change SS-XL Cartridge before Hydroblend™ compound is completely used up.

Change Everpure EC110 Prefilter Cartridge when excessively dirty.

Always flush the filter cartridge at time of installation and cartridge change.

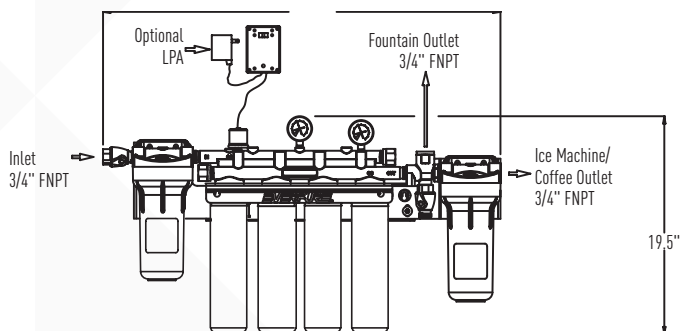
SIZING

Service Flow Rate: Maximum 10.0 gpm (37.85 Lpm)

Rated Capacity: 60,000 gallons (227,124 L)

EVERPURE® HIGH FLOW CSR QUAD-4FC SYSTEM

EV9329-44



System Tested and Certified by NSF International against NSF/ANSI Standards 42 and 53 for the reduction of:

STANDARD NO. 42 – AESTHETIC EFFECTS

Chemical Reduction
Taste & Odor
Chlorine
Mechanical Filtration
Nominal Particulate Class I

STANDARD NO. 53 – HEALTH EFFECTS

Mechanical Filtration
Cyst
Turbidity

SPECIFICATIONS

Service Flow Rate

Maximum 10.0 gpm (37.85 Lpm)

Rated Capacity

60,000 gallons (227,125 L)

Pressure Requirements

10 - 125 psi (0.7 - 8.6 bar), non-shock

Maximum Temperature

35 - 100°F (2 - 38°C)

Overall Dimensions

19.5" H x 34" W x 6.75" D
(49.53 cm x 86.4 cm x 17.1 cm)

Inlet Connection

3/4"

Outlet Connection

3/4"

Electrical Connection

None required

Shipping Weight

37 lbs (16.78 kgs)

Operating Weight

45 lbs (20.41 kgs)

EPA Est. No. 002623-IL-002

The contaminants or other substances removed or reduced by this drinking water system are not necessarily in your water. Do not use with water that is microbiologically unsafe or of unknown quality without adequate disinfection before or after the system. Systems certified for cyst reduction may be used with disinfected water that may contain filterable cysts.

Since the conditions under which our products may be used are beyond our control, we cannot accept any liability with respect to the improper installation, application and/or use of our products.

WARRANTY

Everpure water treatment systems by Pentair® (excluding replaceable elements) are covered by a limited warranty against defects in material and workmanship for a period of five years after date of purchase. Everpure replaceable elements (filter cartridges and water treatment cartridges) are covered by a limited warranty against defects in material and workmanship for a period of one year after date of purchase. See printed warranty for details. Pentair will provide a copy of the warranty upon request.



WATER QUALITY SYSTEMS

EVERPURE-SHURFLO WORLD HEADQUARTERS, 1040 MUIRFIELD DRIVE, HANOVER PARK, IL 60133 USA • FOODSERVICE.PENTAIR.COM
800.942.1153 (US ONLY) • 630.307.3000 MAIN • 630.307.3030 FAX • CSEVERPURE@PENTAIR.COM EMAIL

EVERPURE-SHURFLO AUSTRALIA, 1-21 MONASH DRIVE, DANDENONG SOUTH, VIC 3175 AUSTRALIA
011.1300.576.190 TEL • 011.61.39.562.7237 FAX • AU.EVERPURE@PENTAIR.COM EMAIL

EVERPURE-SHURFLO CHINA, 21F CLOUD 9 PLAZA, NO 1118, SHANGHAI, 200052, CHINA
86.21.3211.4588 TEL • 86.21.3211.4580 FAX • CHINA.WATER@PENTAIR.COM EMAIL

EVERPURE-SHURFLO INDIA, GREEN BOULEVARD, B-9/A, 7TH FLOOR - TOWER B SECTOR 62, NOIDA - 201301
91.120.419.9444 TEL • 91.120.419.9400 FAX • INDIACUSTOMER@PENTAIR.COM EMAIL

EVERPURE-SHURFLO EUROPE, PENTAIR WATER BELGIUM BVBA, INDUSTRIEPARK WOLFSTEE, TOEKOMSTLAAN 30, B-2200 HERENTALS, BELGIUM
+32.(0).14.283.504 TEL • +32.(0).14.283.505 FAX • SALES@EVERPURE-EUROPE.COM EMAIL

EVERPURE-SHURFLO JAPAN INC., HASHIMOTO MN BLDG. 7F, 3-25-1 HASHIMOTO, MIDORI-KU, SAGAMIHARA-SHI KANAGAWA 252-0143, JAPAN
81.(0)42.775.3011 TEL • 81.(0)42.775.3015 FAX • INFO@EVERPURE.CO.JP EMAIL

EVERPURE-SHURFLO SOUTHEAST ASIA, 390 HAVELOCK ROAD, #04-01 KING'S CENTRE, SINGAPORE 169662
65.6768.5800 TEL • 65.6737.5149 FAX • CSEVERPURE@PENTAIR.COM EMAIL

All Pentair trademarks and logos are owned by Pentair, Inc. or its affiliates. All other registered and unregistered trademarks and logos are the property of their respective owners. Because we are continuously improving our products and services, Pentair reserves the right to change specifications without prior notice. Pentair is an equal opportunity employer.