

# ACTIVTAPP® ACS-1

## COMMERCIAL OZONE RINSE SYSTEM



CD2044B

### APPLICATIONS

- ◆ Food prep for fruit, vegetables, and meat
- ◆ Surface sanitation
- ◆ Hand wash
- ◆ Washcloth rinse

### FEATURES • BENEFITS

- ◆ LED status indicators
- ◆ Microprocessor controlled
- ◆ Universal power supply
- ◆ Automated service timer
- ◆ Extends shelf life of food products
- ◆ Only byproduct is oxygen\*

\*Any ozone that does not react with another compound will break down to oxygen. In water, half of the unused ozone will revert back to oxygen in 20 minutes at 68°F. In air, half of the unused ozone will revert back to oxygen in 3 days at 68°F.

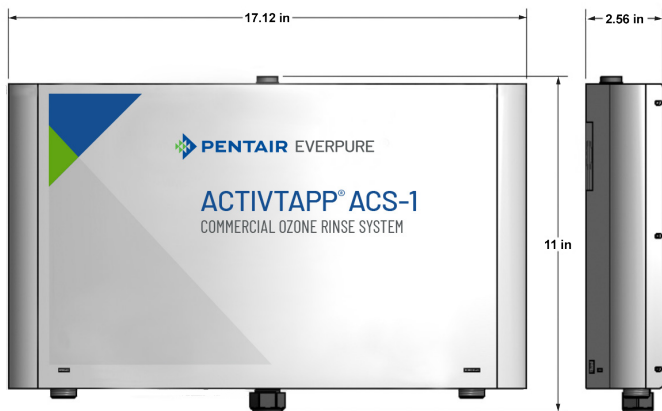
### INSTALLATION TIPS

- ◆ Prior to installation, locate a flat portion of a wall, preferably close to the location where ozonated water is needed.
- ◆ System should be installed vertically.
- ◆ Do not install the system in an area where water may freeze.
- ◆ System should be close enough to a power outlet so an extension cord is not necessary.
- ◆ Make sure system mounting and the water inlet bypass manifold (optional) do not obstruct any electrical outlets.
- ◆ The system and water inlet bypass manifold are to be close enough to the unit using ozonated water to be able to make the proper water hose connections.

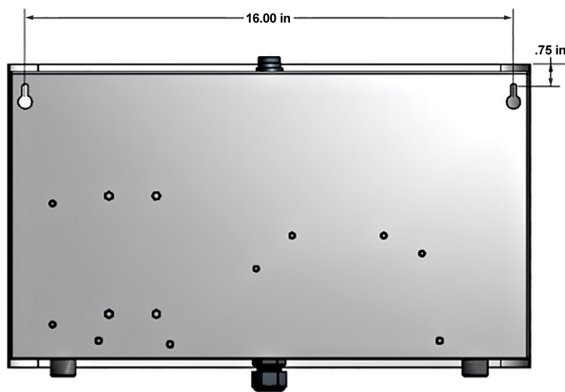
### INCLUDES

- ◆ ACS-1 system
- ◆ Mounting hardware
- ◆ Installation and operation manual
- ◆ One (1) water inlet bypass manifold (optional)
- ◆ Hook-up hoses (optional)

# PENTAIR® EVERPURE® ACTIVTAPP® ACS-1 SYSTEM



Front View Dimensions



Back View Dimensions

## SPECIFICATIONS

- ◆ **System (Part No.)**  
CD2044B
- ◆ **Ozone Level**  
0.5 ppm @ 4 gpm
- ◆ **Number of Outlets**  
1
- ◆ **Power**  
90-264 VAC/50-60HZ  
50 watts
- ◆ **Water Flow Rate**  
2-4 gpm
- ◆ **Inlet Water Pressure**  
40 to 100 psi
- ◆ **Ambient Ozone**  
Less than 0.08 ppm
- ◆ **Ambient Requirements**  
30° - 90°F; (0° - 32°C)  
75% RH non-condensing Max
- ◆ **Inlet & Outlet Connection**  
3/4" mnpt
- ◆ **Dimensions Overall**  
10" H x 17.25" W x 3" D  
(25.4 cm x 43.8 cm x 7.6 cm)
- ◆ **Mounting Dimensions**  
16" wide (40.64 cm)
- ◆ **Weight**  
7 lbs (3.2 kgs)



850 Capitolio Way | Suite E | San Luis Obispo, CA 93401 | United States

P: 805.549.9724 | Toll Free: 800.262.0203 | sales@cwtozone.com | pentair.com | cwtozone.com

All indicated Pentair trademarks and logos are property of Pentair. Third party registered and unregistered trademarks and logos are the property of their respective owners.

© 2020 Pentair. All rights reserved.

CD2044B SE20